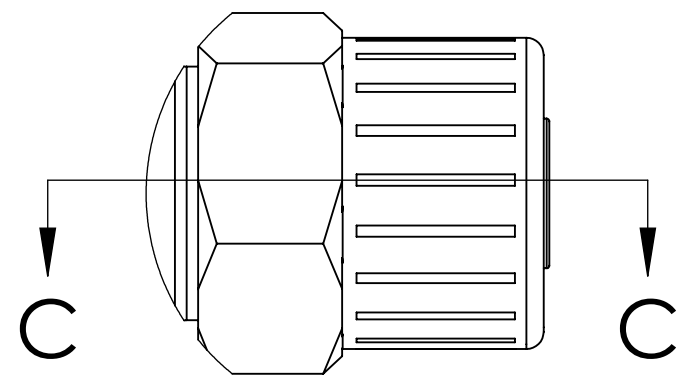
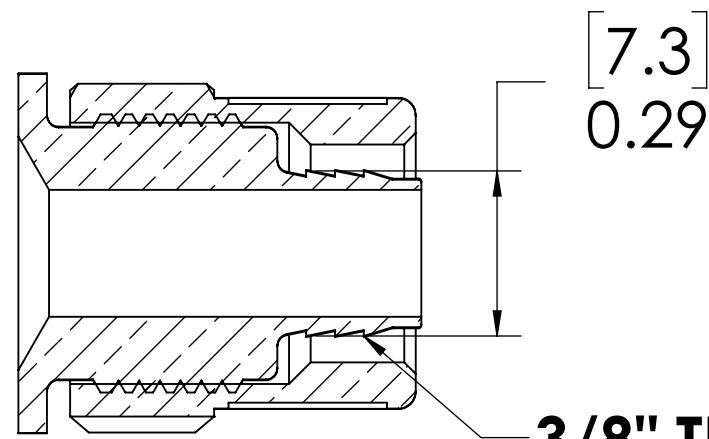


REVISIONS						
SHEET	ZONE	REV.	ECO	DESCRIPTION	DATE	APPROVED
1	ALL	A	50030	CHANGED C129 TO C115	11/7/2012	HRC
1	ALL	A	50030	UPDATED NOTE BLOCK	11/7/2012	HRC
1	ALL	B	50242	UPDATE DWG TO CURRENT FORMAT & STANDARDS	10/18/2018	HRC

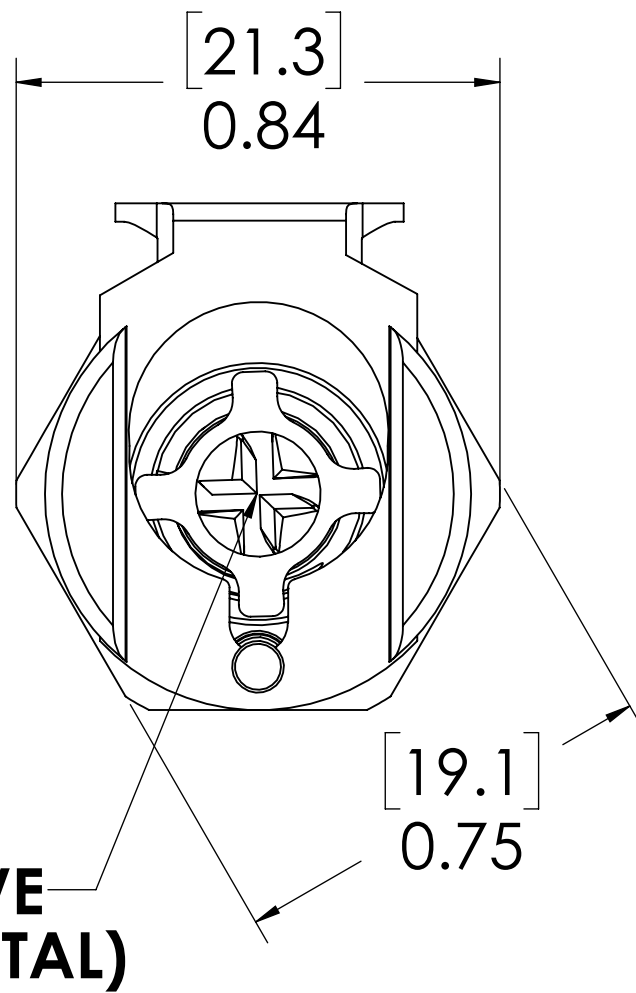


DETAIL B



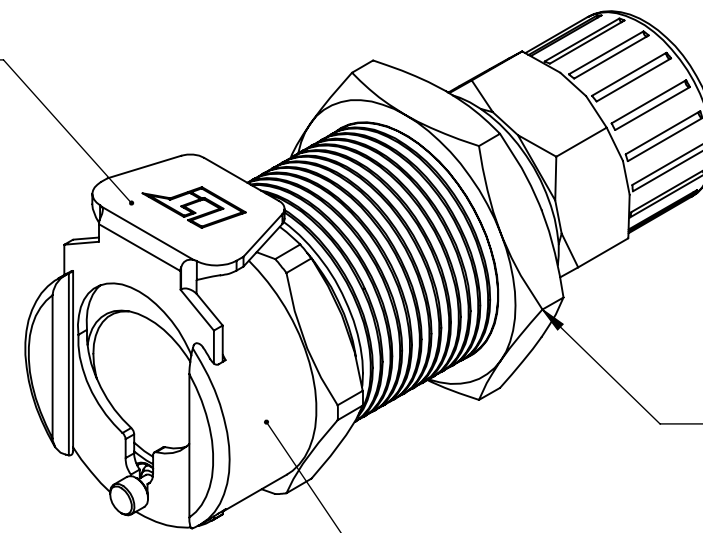
SECTION C-C

3/8" TUBE OD



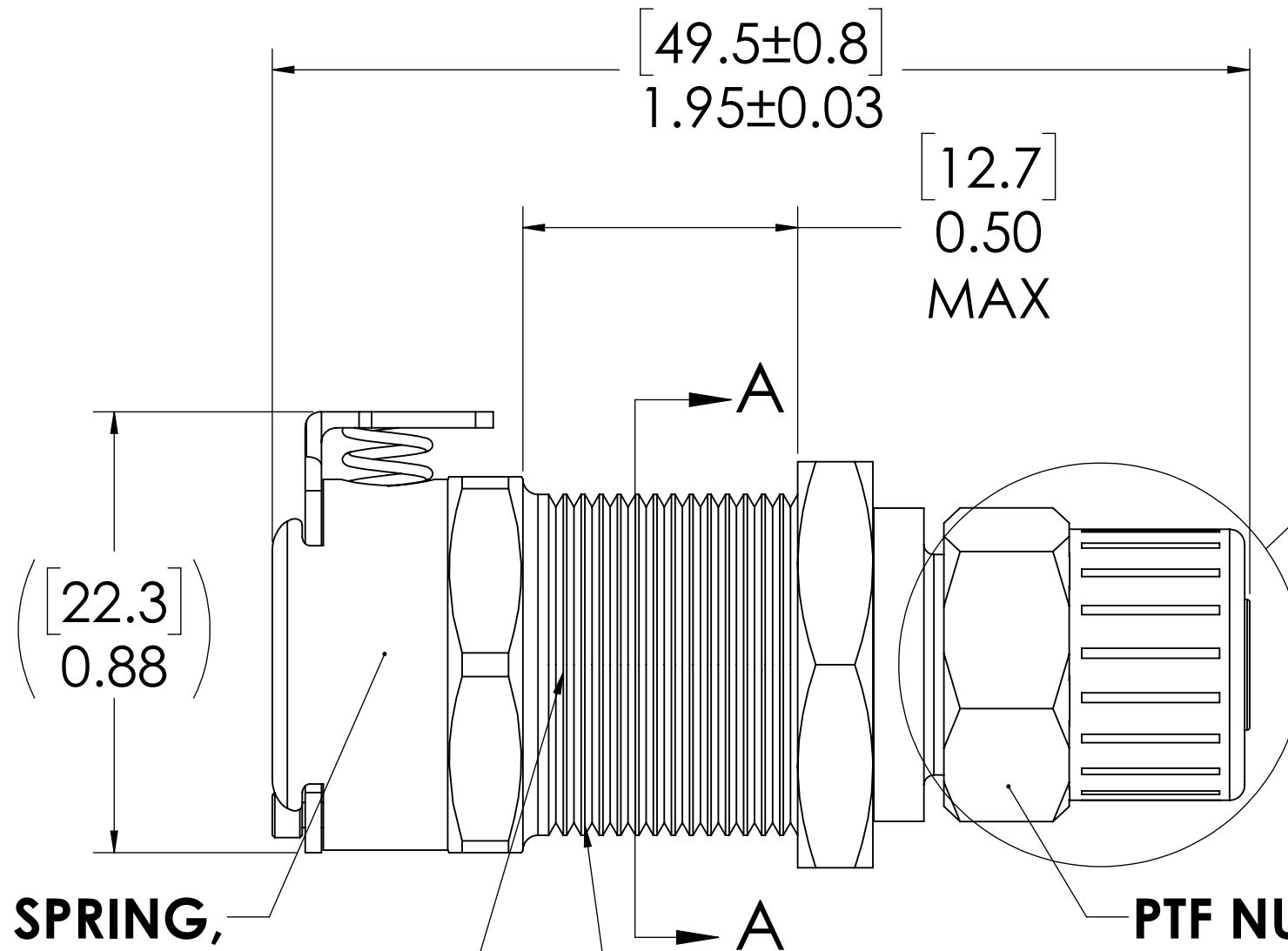
VALVE (ACETAL)

LATCH HARDWARE (STAINLESS STEEL)



PANEL NUT (BRASS, NICKEL PLATED) (PACKAGED SEPARATELY)

SOCKET (BRASS, NICKEL & CHROME PLATED)

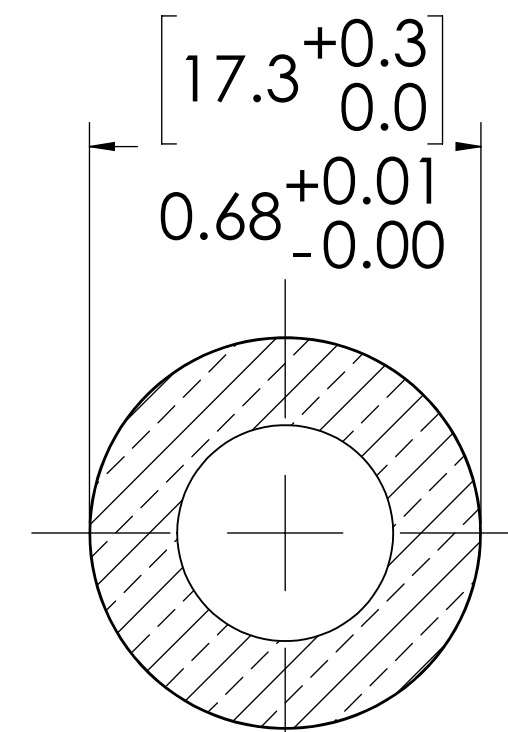


VALVE SPRING, INTERNAL (STAINLESS STEEL)

VALVE O-RING, INTERNAL (BUNA-N)

11/16" - 24 UNS THREAD

PTF NUT (BRASS, NICKEL PLATED) (PACKAGED SEPARATELY)



PANEL OPENING (SECTION A-A)

NOTES:

- MATERIAL: BRASS
- FINISH: CHROME
- O-RING MATERIAL: BUNA-N
- O-RINGS LUBRICATED WITH FOOD GRADE SILICONE OIL, 350 CST.

FOR REFERENCE ONLY

<small>UNLESS OTHERWISE SPECIFIED: DIMENSIONS ARE IN INCHES TOLERANCES: FRACTIONAL ±1/32 ANGULAR, MACH ±0.5 BEND ±2 ONE PLACE DECIMAL ±0.1 TWO PLACE DECIMAL ±0.01 THREE PLACE DECIMAL ±0.005 TWO PLACE DUAL (mm) [±0.12]</small>	DRAWN	LMP	3/16/2018	
	CHECKED	HRC	3/16/2018	
	ENG APPR.	HRC	10/18/18	
	MFG APPR.	BDB	10/18/18	
PRODUCTION	LS	10/18/18		PART NO: 40CBV-SB8-06 DESCRIPTION: LinkTech 40CB Series Panel Mt. Female, Valved, 3/8" PTF, Chrome Brass
<small>PROPRIETARY AND CONFIDENTIAL</small> <small>THE INFORMATION CONTAINED IN THIS DRAWING IS THE SOLE PROPERTY OF LINKTECH LLC. ANY REPRODUCTION OR DISCLOSURE IN PART OR AS A WHOLE WITHOUT THE WRITTEN PERMISSION OF LINKTECH LLC IS STRICTLY PROHIBITED.</small>		<small>COMMENTS:</small>		SIZE DWG. NO. REV C 40CB400040 B
<small>SCALE: NTS WEIGHT:</small>		<small>SHEET 1 OF 1</small>		